

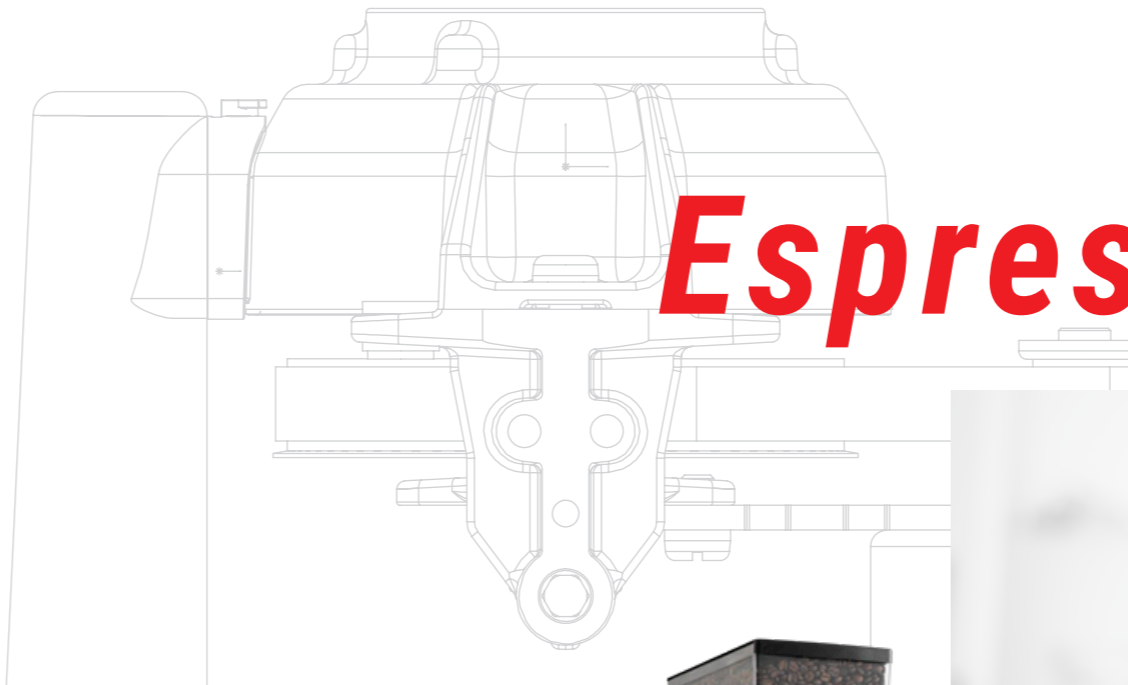
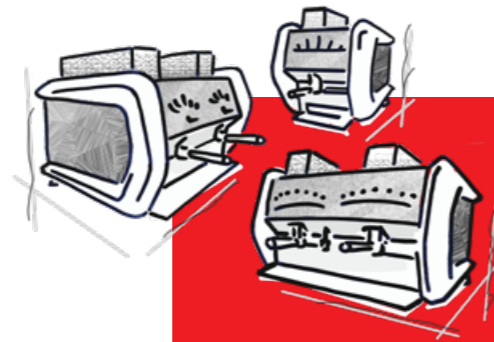
Veromatic International B.V.
Donker Duyvisweg 56
3316 BM Dordrecht
The Netherlands
T +31 (0)78 654 09 55
E info@veromatic.com
I www.veromatic.com

 DUTCH DESIGN



Veromatic
BEVERAGE MACHINES TECHNOLOGY

In stock.
Customized.
Private label.
Product development.



**Espresso
expert.**



ESPRESSO

S-Pro 2 - Fully adaptable to every taste



Veromatic International B.V. continuously updates its product range using the latest technologies. Therefore, changes in design and equipment of the shown devices and products are possible. Misprints and typographical errors are reserved. Deviating colors may be caused by the printing technique. ©2022 Veromatic International B.V. All rights reserved. Reproduction (including partial reproduction) only with the written approval of Veromatic International B.V.



Veromatic
BEVERAGE MACHINES TECHNOLOGY

Sustainable and responsible



Monitored process during production

- Made with recycled materials
- + Simple refurbishments
- + Our machines are up to 95% recyclable



- Reuse of transport equipment
- + Waste recycling during production process

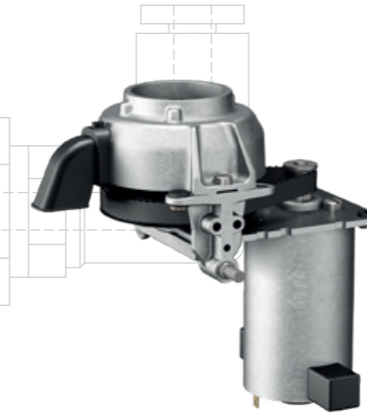


Our self-learning VIPS© technology reduces energy consumption up to 43%

responsible



Made of 1,25 mm steel



Ceramic grinding discs for consistent quality



Constantly improving performance.

More than ever, future-oriented responsibility is an important part of Veromatic's manufacturing process. That is why we focus on the environmental impact with, for example, a very long life cycle of our machines. And our technology can already prepare recipes with plant-based milk products. Without losing sight of the 'Total Cost of Ownership' in the process.

People centered

S-Pro 2: modern taste

The front of the S-Pro 2 is fully customizable using a branded glass panel. With its clean look, this machine provides a complete coffee experience. The visible coffee beans in the reservoir and the styled double outlet give this espresso machine a modern barista look.



Machine features:

- ✓ Espresso beverages
- ✓ User-friendly 7-inch touch screen
- ✓ Allergy information displayed per item
- ✓ Plant-based milk products optional
- ✓ Simple in use and maintenance
- ✓ Personalized branding image

All the benefits of espresso preparation

For true coffee purists, nothing beats espresso preparation. The S-Pro 2 is therefore fully adjustable in terms of grind, water temperature and flow time. And therefore gets the most out of every bean and provides the desired taste.

All Veromatic machines are available with:

- ✓ Best in-cup quality with Barista-on-a-Stick®
- ✓ Wide range of beverage varieties
- ✓ EasySelect® beverage selection
- ✓ Customizable menu for personalization
- ✓ Separate hot water spout
- ✓ Cup sensors to prevent spillage
- ✓ Increased energy savings with VIPS®
- ✓ Automatic rinsing
- ✓ Easy maintenance and cleaning



Stepless adjustable Ditting grinder with ceramic grinding discs.

ditting



Scan for additional information, photos and videos.



Optional: Base cabinet S-Pro 2 with ingredient trays and cup holders.



Optional: Base cabinet S-Pro 2 with lockable door.



Tasteful product visualization in touch screen

Fully printable front door